

## WAFER TYPE CHECK VALVE

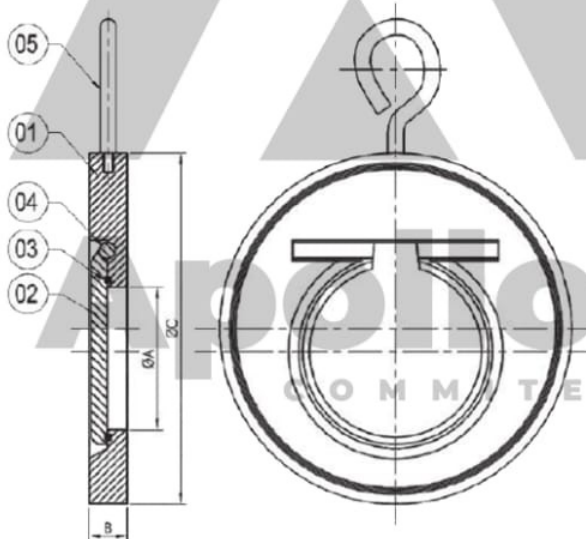
“Apollo” make wefar type check valve primarily single plate swing check valve with a short pattrn wefar body. the low internal disc design enables the valve to open or close with a very low differential pressure.



NO	DESCRIPTION	MATERIAL	QTY.
01	BODY	C.I. / M.S. / CF8 / CF8M / CF3 / CF3M	1
02	DISC	C.I. / M.S. / CF8 / CF8M / CF3 / CF3M	
03	'O' RING	NITRILE, EPDM, VTION, SILICON, PTEE	1
04	HINGE PIN	AISI 304, 316, M.S.	1
05	LIFTING HOOK	M.S. / S.S.	1

TECHNICAL DATA	
DESIGN & MANUFACTURING STD.	API 6D / ANSI B 16.34
TESTING & INSPECTION STD.	API 598
PRESSURE CLASS	150#

PRIMARY SERVICE RATING & TEST PRESSURE				
CLASS	WORKING PRESSURE	TEMP.	HYD. TEST PRESSURE	
			BODY	SEAT
150 #	20°F TO 180°F		225 PSIG	150 PSIG



SIZE	DIMENSION				
	IN	MM	ØA	B	ØC
1"		25	14	16	64
1½"		40	22	19	86
2"		50	30	19	104
2½"		65	40	19	123
3"		80	52	19	136
4"		100	71	19	174
5"		125	93	19	196
6"		150	114	19	221
8"		200	157	28	278
10"		250	195	28	339
12"		300	230	38	409
14"		350	270	44	449
16"		400	310	50	512
18"		450	360	60	545
20"		500	406	63	605
24"		600	490	70	714