



Datasheet

Dissolved oxygen sensor

AI-DO719

Datasheet

Dissolved oxygen sensor AI-DO719

DO monitoring is the most critical water quality parameter in aquaculture. The optical dissolved oxygen sensor is specially designed for aquaculture applications. With embedded temperature sensor and robust RS485 digital signal output, the sensor can be seamlessly connected to online controller. The sensor can be easily integrated into wireless sensor network and automation controls.

Applications

- Aquaculture
- Sewage Treatment
- Surface water
- Regulating pools
- Biochemical ponds
- Industrial production processes

Features

- RS485 communication and MODBUS output
- No membrane and no electrolyte required
- No chemical interference
- No need for frequent calibration
- No need to consume oxygen
- No flow rate limitation
- Specially designed for aquaculture application



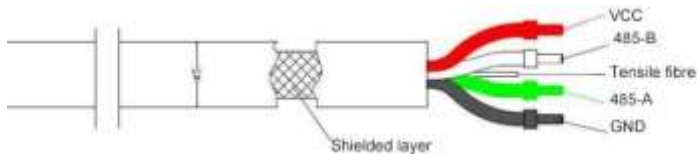
Dissolved oxygen sensor

Parameters

Parameters	Details
Range	0-20mg/L or 0-200% Saturation
Response Time	40 Sec
Housing IP Rating	IP68
Accuracy	3%
Drift	< 1% per year
Working Temperature Range	0 ~ 50°C
Temperature Accuracy	±0.5°C
Interface	Support RS-485 ,MODBUS protocols
Installation thread	M22*1.5 mm
Power Requirements	DC 6~12V +/-5%, current <50mA
Temperature Sensor Type	NTC
Sensor OD	23mm
Sensor Length	188.3 mm
Cable Length	10m standard; 5m, 15m, and 30m optional
Calibrations	Support one point and two-points calibrations
Sensor Cap Lifetime	1 Year (at normal use)
Body materials	POM and Stainless steel

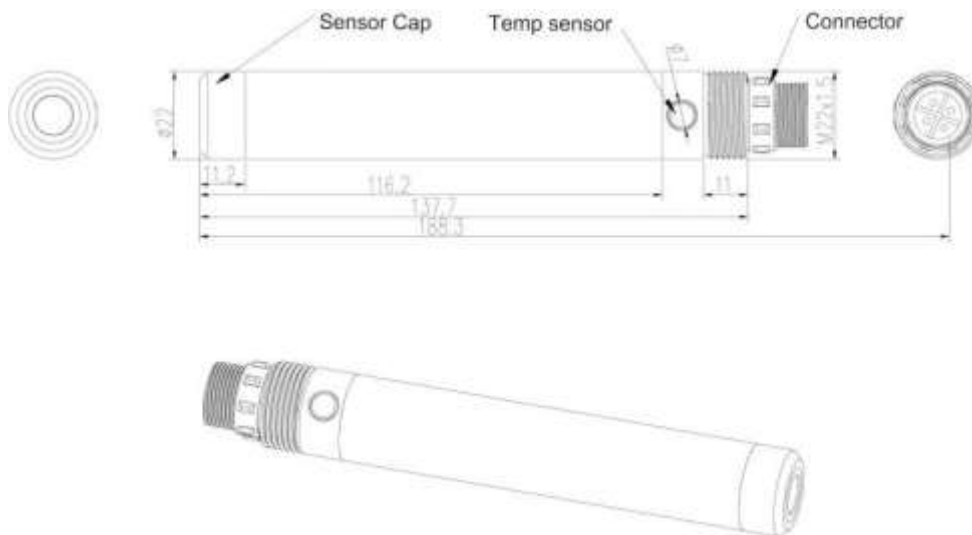
Note: The above technical parameters are the data in the laboratory standard environment

Wiring



- 1, Red wire—Power (VCC)
- 2, White wire—485 data_B (485_B)
- 3, Green wire---485 data_A (485_A)
- 4, Black wire --- Ground wire (GND)
- 5, Bare wire Shielding layer

Dimensions



Unit:mm

Ordering Code

AI-DO719-A-B-10-RC											Description	
AI-DO719	-	-	-	-	-	-	-	-	-	-	-	Measurement Range: (0-20) mg/L
Serial Number	DO719										Temperature Range: (0-50) °C	
Output	A										Pressure Resistance: 0.3MPa	
Power Supply	B										RS485	
Cable Length	10										12VDC	
	20										10m	
	30										20m	
	XX										30m	
	RC										Other	
Housing Material and Thread Type	RD										SS316L, M22×1.5	
											Titanium, M22×1.5	



Arka Instruments LLP

Add: Hyderabad Office: H.no: 08-041/1,
 Plot no 132, N C L Enclave, Kompally,
 Hyderabad, Telangana, India - 500067
 Land Line: +91 40359 00418
 Mobile: +91 81438 12346
 Email: admin@arkainstruments.com
 Website: www.arkainstruments.com